

# LED-8032M 140W LED METAL HALIDE BALLAST COMPATIBLE FOR HIGH BAY

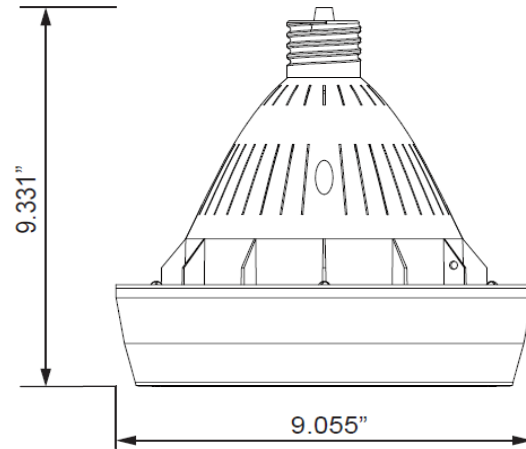


## Models

LED-8032MXX-MHBC, 4000K or 5700K CCT, EX39

## Features

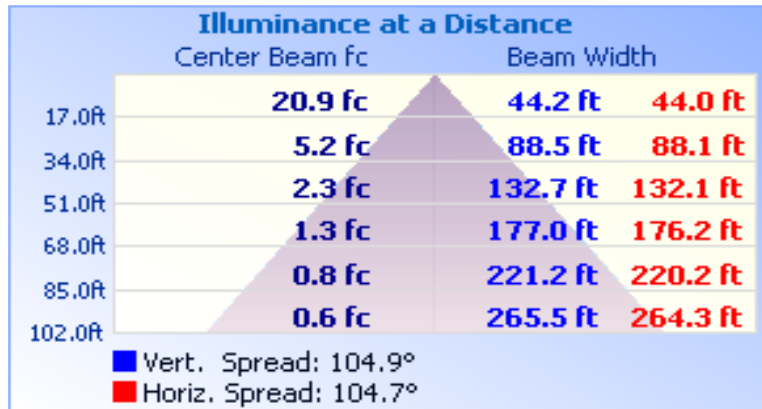
- 140 Watt LED Replaces existing 320w or 400w Metal Halide Lamp
- Operates with pulse start and probe start magnetic ballasts, 320W & 400W Metal Halide Ballasts only
- Optimized for High Bay HID fixture with PC or Glass Globe
- 120° Beam Angle
- UL Component approved for damp environments (USA & Can)
- Advanced active cooling, Sunon Mag-lev >70,000 hr. fan with temperature control ensures long LED life
- EX39 Mogul Base
- >50,000 rated LED life
- 5 year limited warranty (see website for details)
- Rated for enclosed fixture



## Technical Specifications

Models US/CAN	LED-8032M40-MHBC	LED-8032M57-MHBC
CCT	4000K	5700K
Power Consumption	140W	
Total Wattage w/400w M59 Ballast	207.5W	
Total Wattage w/320w M132 Ballast	150W	
Replaces	320W or 400W MH	
Mounting	EX39	
Compatible Metal Halide Ballasts	320W or 400W Pulse or Probe Start Ballasts	
LED Type	2835	
Beam Angle	120°	
Dimmable	No	
Operating Temp	-40°F - +122°F	
Rated R70 Life	Up to 50,000 Hrs.	
Warranty	5 Year Limited*	
<b>LM79 Specifications</b>	<b>No</b>	<b>No</b>
Power (W) w/400W Ballast	207.5	207.5
CCT	4000	5700
Light Output	17000	17000
Efficacy	115	115
THD @ 277V	n/a	n/a
PF @ 277V	n/a	n/a
CRI:	n/a	n/a
R9	n/a	n/a
Duv	n/a	n/a
<b>Packaging</b>	2 / Master Carton	
Unit	11.6"x 11.6"x 12.1" 5.24 lbs.	
Master	14.8"x 14.8" x 9.5" 11.4 lbs.	

## Illuminance Plots



LED Power Consumption (Watts)	HID Power Consumption (Watts)	HID Ballast Power Consumption (Watts)	Total Savings (Watts)	Annual Energy Savings (14 hrs/day)	Lifetime Energy Savings (over 50,000 hrs)
207.5	400	60	192.5	\$108	\$1,058.75

Mounting Orientation			Minimum Fixture Size Requirements (inches)	
Base Up	Base Down	Horiz	Length	Width
			11.3	11.05
Approved	Approved	Approved	Height	11.05
			Cu. Inches	1379.8



188 S. Northwest Highway • Cary, IL 60013  
 (847) 380-3540 • FAX: (847) 380-3542  
[www.led-llc.com](http://www.led-llc.com)

