

LED-8030M-A 140W LED for HID Retrofit High Bay / Low Bay



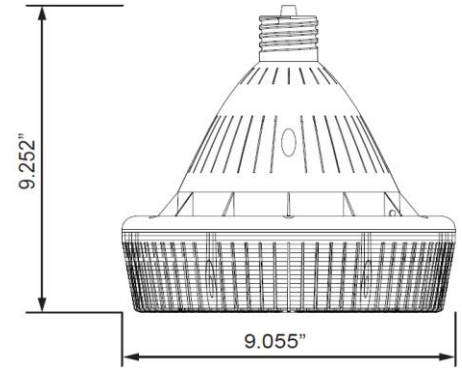
Models

LED-8030MXX-A, 120-277VAC, ULus, 4000K or 5700K CCT, EX39

LED-8030MXXC-A, 347VAC, cUL, 4000K or 5700K CCT, EX39

Features

- 140 Watts Replaces 400w HID Lamps
- Optimized for High Bay HID fixture with PC or Glass Globe
- 360° Beam Angle
- 120-277V UL 1993, UL1598C US and Canada
- 120-347V UL 1993, UL1598C Canada only
- UL classified for damp environments (USA & Can)
- Advanced active cooling, Sunon Mag-lev >70,000 hr. fan& NTC Temp Control
- EX39 Mogul Base
- >50,000 rated LED life
- 5 year limited warranty (see website for details)
- Retrofitted fixture retains UL approval under UL Classified 1598C.
- Rated for enclosed fixture

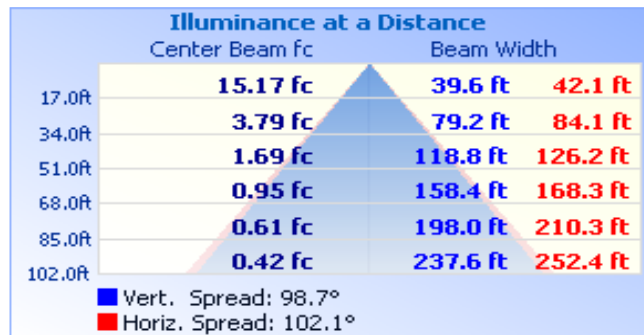


Technical Specifications

Models US/CAN	LED-8030M40-A	LED-8030M57-A	LED-8030M40C-A	LED-8030M57C-A
	USA		Canada	
CCT	4000K	5700K	4000K	5700K
Power Consumption	140W			
Replaces	400 MH/HPS			
Mounting	EX39			
Voltage	120-277VAC (USA) 120-347VAC (CANADA)			
LED Type	2835			
Beam Angle	360°			
Dimmable	No			
Operating Temp	-40°F - +122°F			
Rated R70 Life	Up to 50,000 Hrs.			
Warranty	5 Year Limited*			
LM79 Specifications	Yes	Yes	Yes	Yes
Power (W)	144.4	144.3	139.5	140.8
CCT	3970	5693	4017	5534
Light Output	15763	15911	15667	15966
Efficacy	109.16	110.26	112	113
THD @ 277V	15.78%	15.42%	18.62%	16.52%
PF @ 277V	97	98	97	0.9681
CRI:	84	85.4	83.8	84.8
R9	13	17	10	13
Duv	0	0.0026	0.0016	0.0034
Packaging	2 / Master Carton			
Unit	11.6"x 11.6"x 12.1" 5.24 lbs.			
Master	14.8"x 14.8" x 9.5" 11.4 lbs.			

DLC 0/1 LISTED	MODEL	DLC CODE
	LED-8030M40-A	PX8ES8YD
	LED-8030M57-A	PZPUDKXW
	LED-8030M40C-A	PM7YQ88J
	LED-8030M57C-A	P395N5P7

Approved Categories:
Replacement Lamps for High Bay Luminaires (Type B)



Installation Notes:

- Ballast must be bypassed
- Installing surge/lightning protectors is highly recommended

LED Power Consumption (Watts)	HID Power Consumption (Watts)	HID Ballast Power Consumption (Watts)	Total Savings (Watts)	Annual Energy Savings (14 hrs/day)	Lifetime Energy Savings (over 50,000 hrs)
140	400	80	340	\$191	\$1,870.00

Mounting Orientation			Minimum Fixture Size Requirements (inches)	
Base Up	Base Down	Horiz	Length	Width
			11.25	11.05
Approved	Approved	Approved	Height	11.05
			Cu. Inches	1373.7



188 S. Northwest Highway • Cary, IL 60013
(847) 380-3540 • FAX: (847) 380-3542
www.led-llc.com

